

High Productivity Cooking Electric Bratt Pan with Stirrer 90lt

ITEM # _____

MODEL # _____

NAME # _____

SIS # _____

AIA # _____


291157 (IBRSE12SS)

 Electric bratt pan with stirrer
 90/100lt

Short Form Specification

Item No.

Made from AISI 304 stainless steel. Heavy duty 3mm thick top. Pan with walls 2mm in thickness and bottom 18mm in thickness. Lid fitted on hinges with counter-balancing springs. Stirrer equipped with harmonic steel arms and teflon blade. Speed-adjustable continuous stirring system with the possibility of inverting the direction of rotation. Pan tilting with safety device. Safety device to cut off power when well is raised. 24-V. control panel featuring electronic temperature regulator, electronic analogic timer, pushbutton control for the tilting and return of the pan and mixer speed regulator. Hot and cold water tap. Working temperature from 120 to 220°C. Pre-arranged for connection to integrated HACCP system. IPX5 water protection. Ideal for the cooking of sauces, stews, polenta, risotto and for the preparation of braised and browned meat. Electric heating via stainless steel elements mounted directly onto the pan base; heating transmission by conduction. Well capacity: 100 litres. Usefull capacity: 90 litres.

Main Features

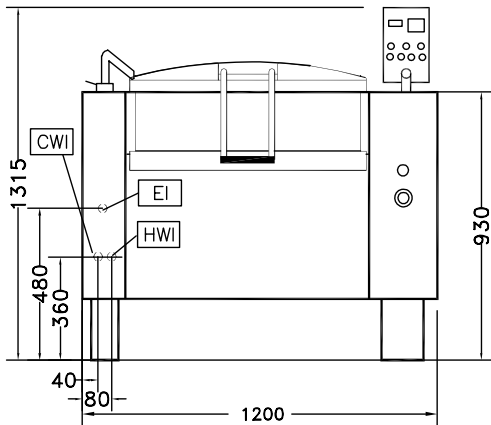
- Control panel featuring electronic temperature regulator, electronic timer, push-button control for the tilting and return of the pan, loading water selector and mixer speed regulator.
- Mixing, overturning and return of the pan driven by an oil hydraulic device thus guaranteeing a complete automation of the operations and remarkable noise reduction.
- Water loaded by manual device.
- Safety device to cut off power when well is raised.
- Heating transmission takes place by irradiation.
- Speed-adjustable continuous stirring system with the possibility of inverting the direction of rotation.
- Lateral balanced opening of the lid.
- Heating regulation with simmostat and digital timer.
- Stirring device designed so that the bratt pan can continue to operate even when the lid is open.
- Controls recessed into the control panel for greater protection.
- IPX5 water protection.
- Complies with main international certification bodies and is CE marked.
- Disposed for connection to integrated HACCP system.

Construction

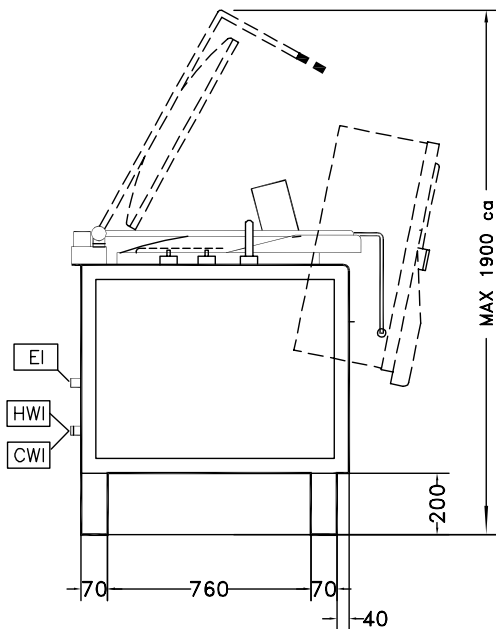
- The machine can be placed against the wall.
- 304 AISI stainless steel tank and bottom 18 mm in thickness.
- 304 AISI stainless steel outside panels.
- Combustion chamber, flue and mixer motorization integrated with the tank.
- Stirrer equipped with harmonic steel arms and teflon blades for greater durability and more efficient scraping of the base.

APPROVAL: _____

Front

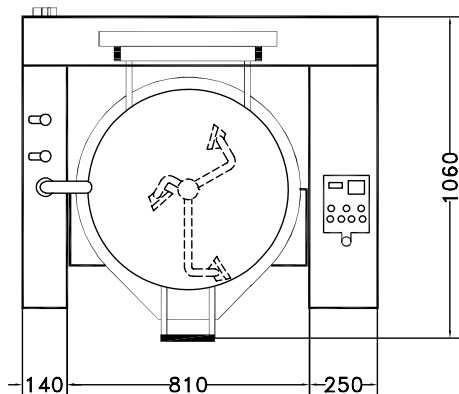


Side



CWI = Cold Water inlet 1 (cleaning)
 EI = Electrical inlet (power)
 HWI = Hot water inlet

Top



Electric

Supply voltage: 400 V/3N ph/50 Hz
Electrical power, max: 10 kW

Key Information:

Working Temperature MIN: 120 °C
Working Temperature MAX: 220 °C
External dimensions, Depth: 960 mm
External dimensions, Height: 1000 mm
Net weight: 407 kg
Net vessel useful capacity: 90 lt
Tilting mechanism: Automatic